

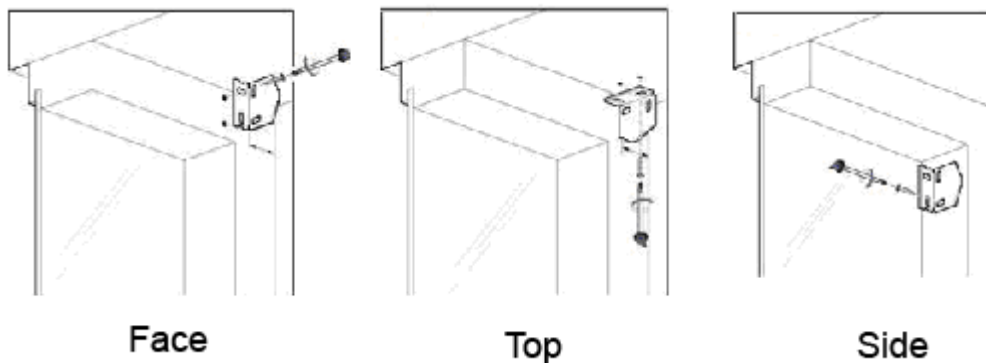
Decora Roller Blinds

How To Install The Roller Blind

Step 1 - Choose How To Mount The Brackets

Select the method of mounting that is most suitable for you.

- A. Face mounting to the face or outside the window frame
- B. Top mounting to an overhead surface such as the top of window frame or the ceiling.
- C. Side mounting to the inside or between the sides of the window frame.

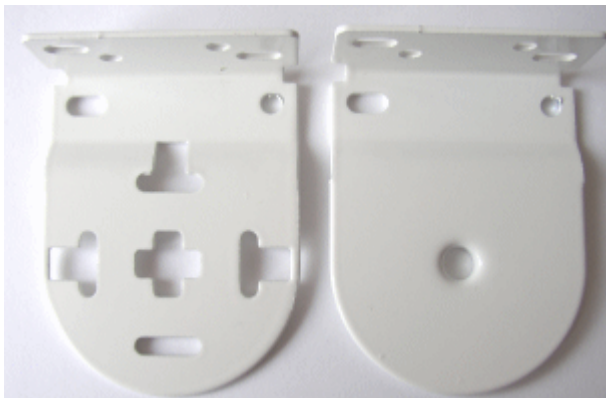


Step 2 - Position Brackets To Allow Free Operation

Make sure that the position of the brackets are such that the roller blind can operate without coming into contact with window or door handles or any other obstacles

Step 3 - Brackets Provided

Side Control Bracket and the Pivot Bracket



The blind is delivered with a Side Control Bracket and a Pivot Bracket.

Place the Side Control Bracket on the same side as the side the chain control is located on the blind.

Step 4 - Attach The Bracket

Mark the position of the first bracket, drill holes and fix the bracket in place.

Step 5 - Attach Second Bracket Level With First

Insert one side of the roller in the mounted bracket. Then place the other bracket on the other end of the blind and mark its position. Make sure that the second bracket is marked so that it is level with the first, drill the holes and fix the bracket in place.

Step 6 - Mount Blind



Insert the pivot side of the blind into the pivot bracket.

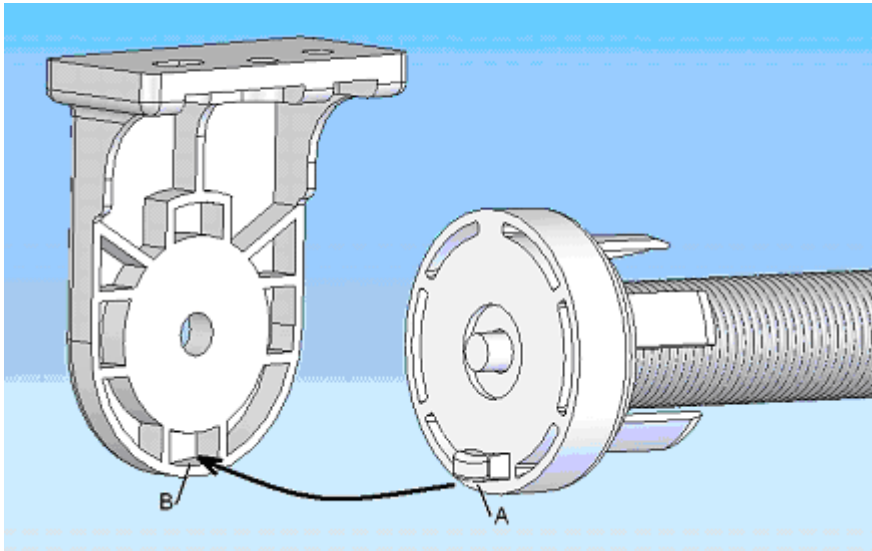
Note the pivot end of the blind has a spring operation to facilitate mounting and unmounting the blind.



Insert the end of blind into the side control bracket as shown. The blind is secured to the bracket by the blue clip. Please ensure that the blue clip points towards the ground. Once the blind is inserted into the bracket, slide the blind until the blue clip is secured to the bracket.

Make sure that the chain hangs straight downward and when the blind is rolled up fully the chain joiner must be at the top rear of the mechanism.

Decora Roller Spring Pull Roller Blinds



Step 1

Use the bracket rotating it clockwise to apply tension on the spring. Do this until you here a clicking sound, this will indicate the spring being locked into place.

Step 1

Insert the spring unit into the bracket, section A on the rear of the spring **MUST** be inserted into slot B at the bottom of the bracket, this will apply regardless of the way the bracket is fixed. (Side or Top Fixed)

WARNING

In the interest of safety please keep all pull chords, chain/bead chords out of the reach of children